

20/21
PRODUCTS

Product Catalogue
Fire Damper
Type (FDM)



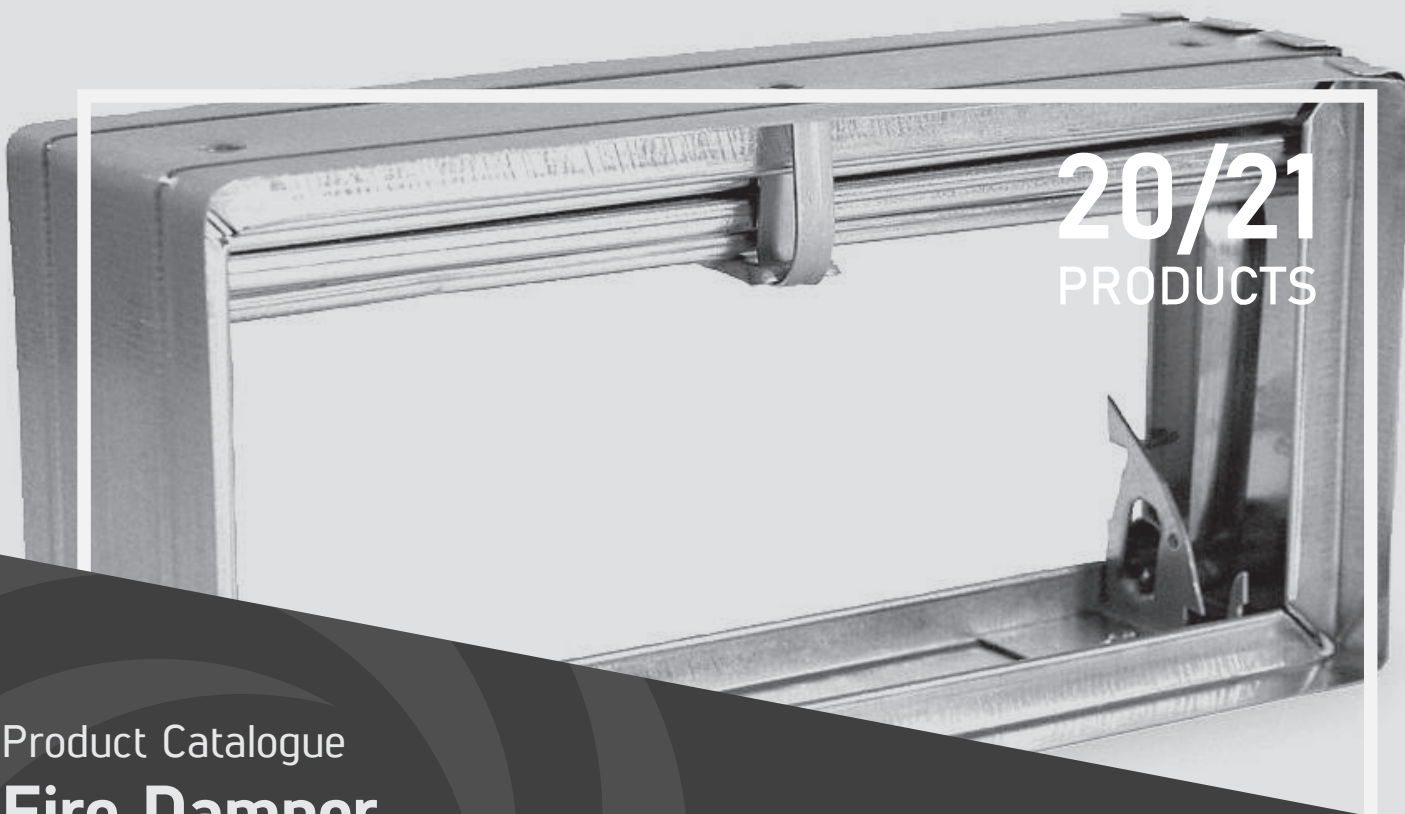
Khedr Trust
ALL AIR PRODUCTS

Fire Damper products are manufactured by



“Your comfort is
our priority”

www.khedr-eg.com





Models

- FDM-A
- FDM-B
- FDM-C
- FDM-CR
- FDM-OV



Features

- Damper Blades are precision roll formed and then interlocked to provide an angular, Heat deflecting construction.
- Dampers are supplied with two constant force St. Steel closure spring and locking ramp to ensure positive closure.
- UL Listed Fusible Link " 165 F Fusing Temperature " .
- All Dampers are Fire rated for 1 1/2 hour.
- Springs and Sealing are Stainless Steel.

Fire Damper

Model Design

Khedr Model FDM Curtain Bladed Fire Damper are designed to stop Through duct wall penetration.

NFPA 90

Khedr Model FDM meets the latest requirements of NFPA 90.

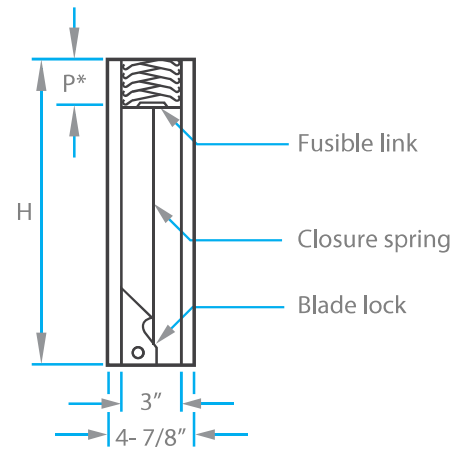
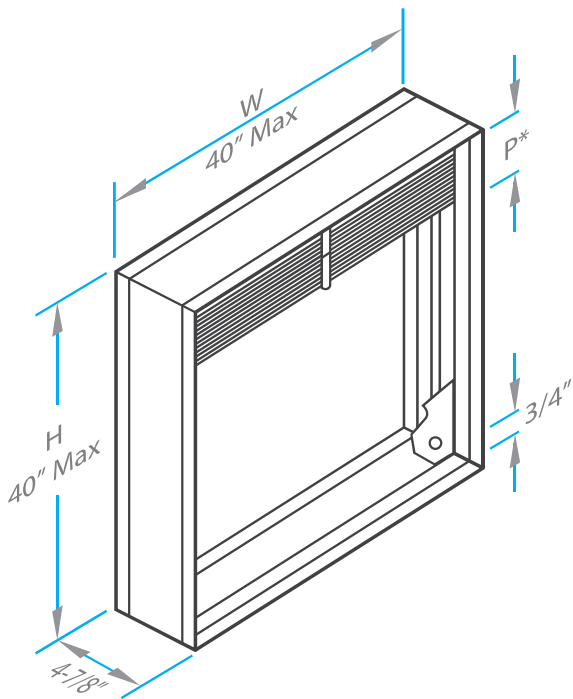
Model Types

Khedr Models FDM are suitable to use in vertical or Horizontal installation.

- Construction & Specs.

- Type (FDM-A)

(1.5mm) Galvanized Steel Frame.
 (0.8mm) Interlocking Type Galvanized Steel.
 55 to 78 % Free Area of nominal Size

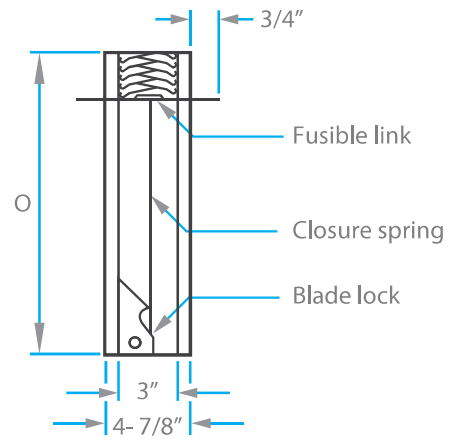
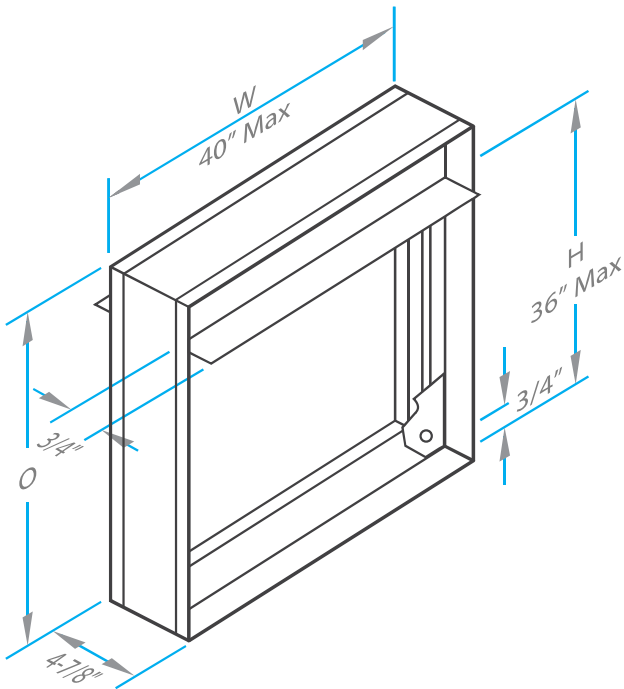


H/W "In"	P "In"	H/W "In"	P "In"	H/W "In"	P "In"
6	1	18	2 1/4	30	3 1/2
8	1 1/4	20	2 1/2	32	3 3/4
10	1 1/2	22	2 3/4	34	4
12	1 3/4	24	3	36	4
14	2	26	3	38	4 1/4
16	2	28	3 1/4	40	4 1/2

Fire Damper products are manufactured by Khedr Trust Co.

- Type (FDM-B)

(1.5mm) Galvanized Steel Frame.
 (0.8mm) Interlocking Type Galvanized Steel.
 91 to 95 % Free Area of nominal Size

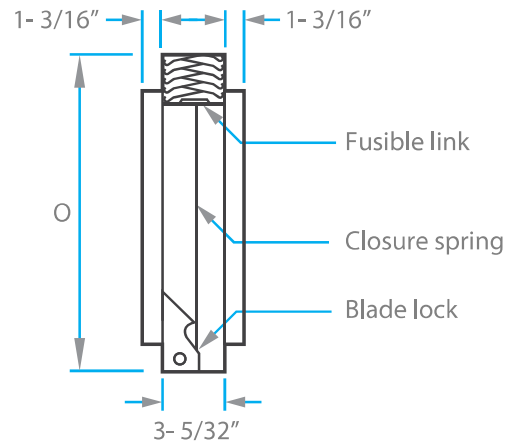
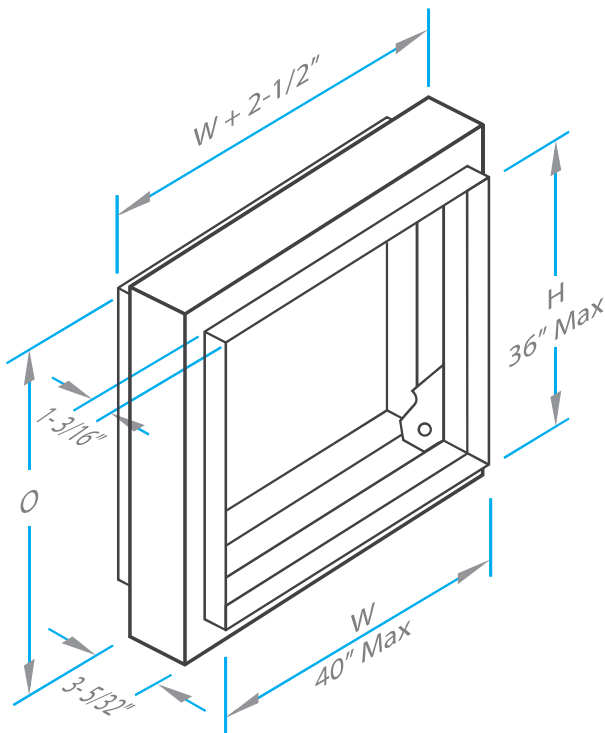


H/W "In"	O "In"	H/W "In"	O "In"	H/W "In"	O "In"
6	7 7/16	18	20 5/8	30	33 7/8
8	9 5/8	20	22 7/8	32	36 1/16
10	11 7/8	22	25 3/32	34	38 3/8
12	14 1/8	24	27 3/8	36	40 5/16
14	16 3/8	26	29 3/8		
16	18 3/8	28	31 5/8		

Fire Damper products are manufactured by Khedr Trust Co.

- Type (FDM-C)

(1.5mm) Galvanized Steel Frame.
 (0.8mm) Interlocking Type Galvanized Steel.
 100 % Free Area of nominal Size

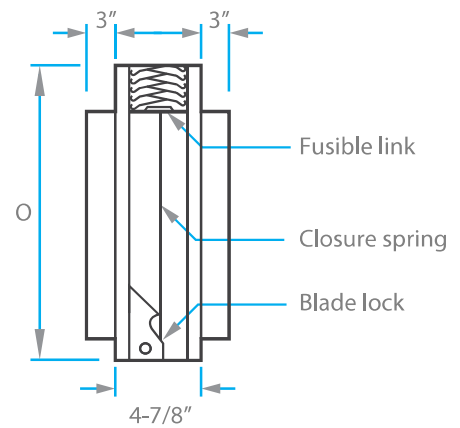
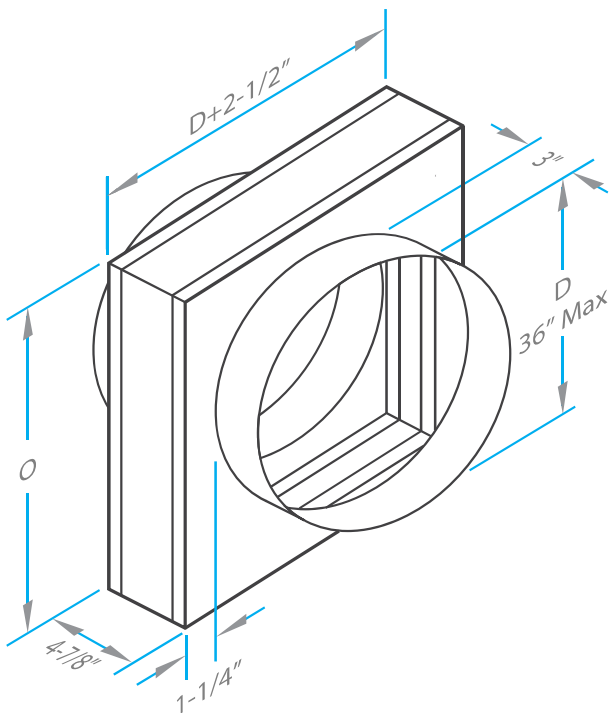


H/W "In"	O "In"	H/W "In"	O "In"	H/W "In"	O "In"
6	8 5/8	18	21 3/4	30	35
8	10 3/4	20	24 1/64	32	37 1/4
10	13 1/32	22	26 1/4	34	39 1/2
12	15 5/16	24	28 9/16	36	41 1/2
14	17 9/16	26	30 1/2		
16	19 9/16	28	32 3/4		

Fire Damper products are manufactured by Khedr Trust Co.

- Type (FDM-CR)

(1.5mm) Galvanized Steel Frame.
 (0.8mm) Interlocking Type Galvanized Steel.
 100 % Free Area of nominal Size

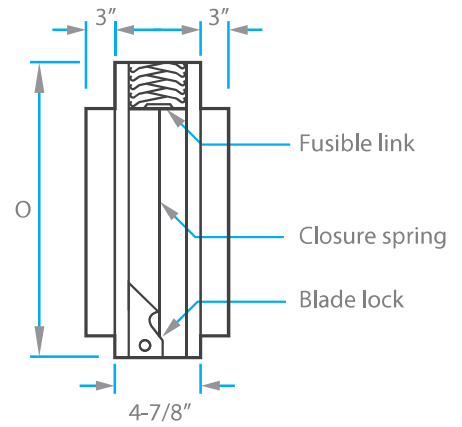
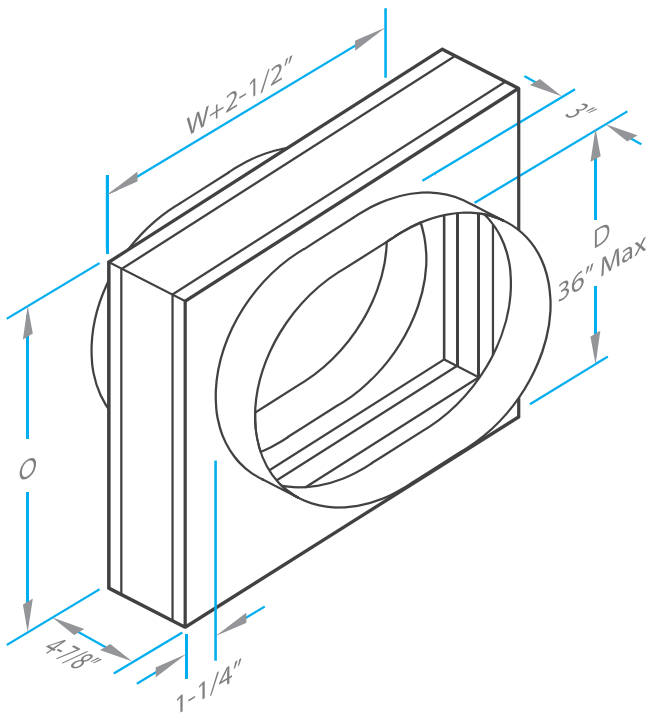


H/W "In"	O "In"	H/W "In"	O "In"	H/W "In"	O "In"
6	8 5/8	18	21 3/4	30	35
8	10 3/4	20	24 1/64	32	37 1/4
10	13 1/32	22	26 1/4	34	39 1/2
12	15 5/16	24	28 9/16	36	41 1/2
14	17 9/16	26	30 1/2		
16	19 9/16	28	32 3/4		

Fire Damper products are manufactured by Khedr Trust Co.

- Type (FDM-OV)

(1.5mm) Galvanized Steel Frame.
 (0.8mm) Interlocking Type Galvanized Steel.
 100 % Free Area of nominal Size

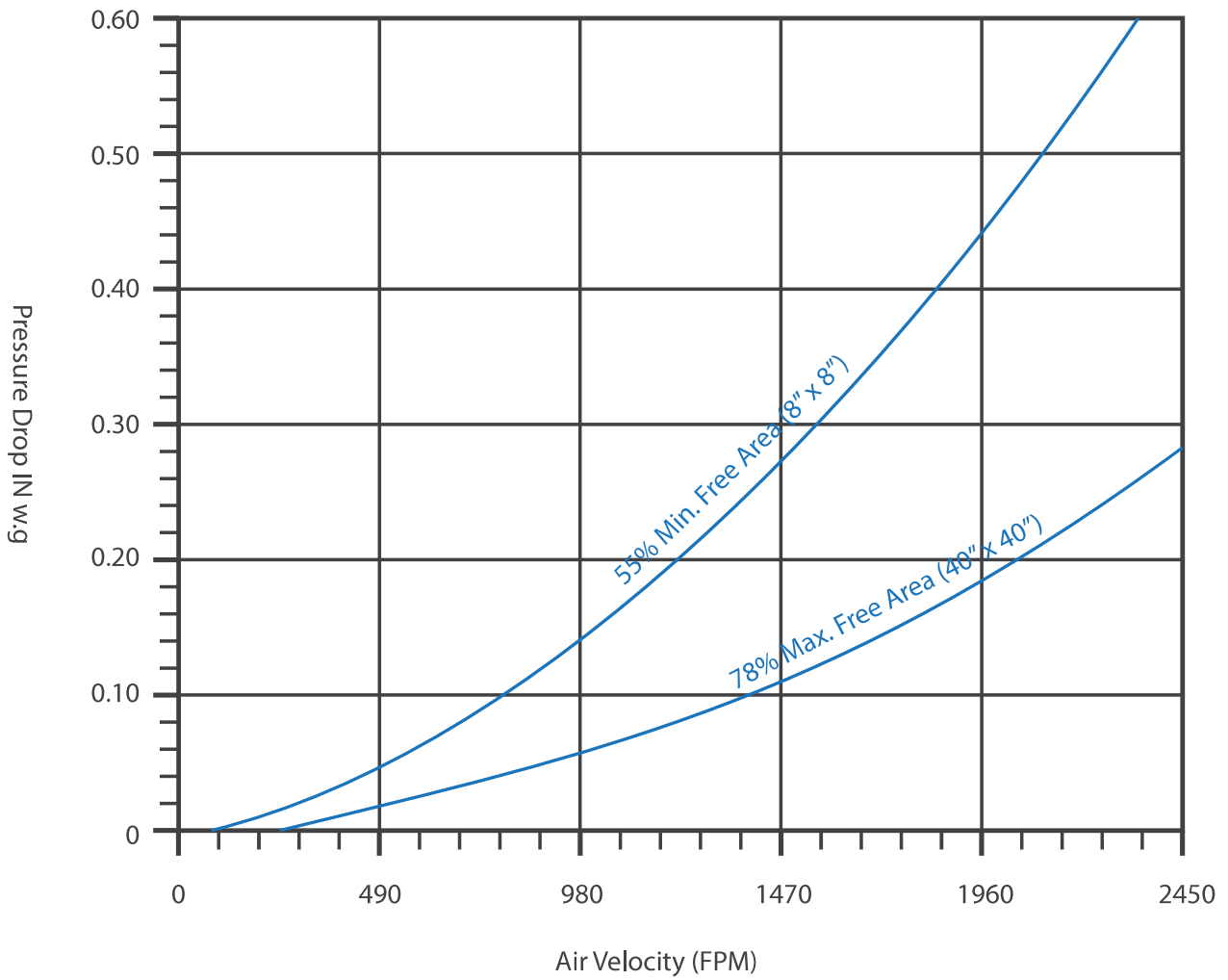


H/W "In"	O "In"	H/W "In"	O "In"	H/W "In"	O "In"
6	8 5/8	18	21 3/4	30	35
8	10 3/4	20	24 1/64	32	37 1/4
10	13 1/32	22	26 1/4	34	39 1/2
12	15 5/16	24	28 9/16	36	41 1/2
14	17 9/16	26	30 1/2		
16	19 9/16	28	32 3/4		

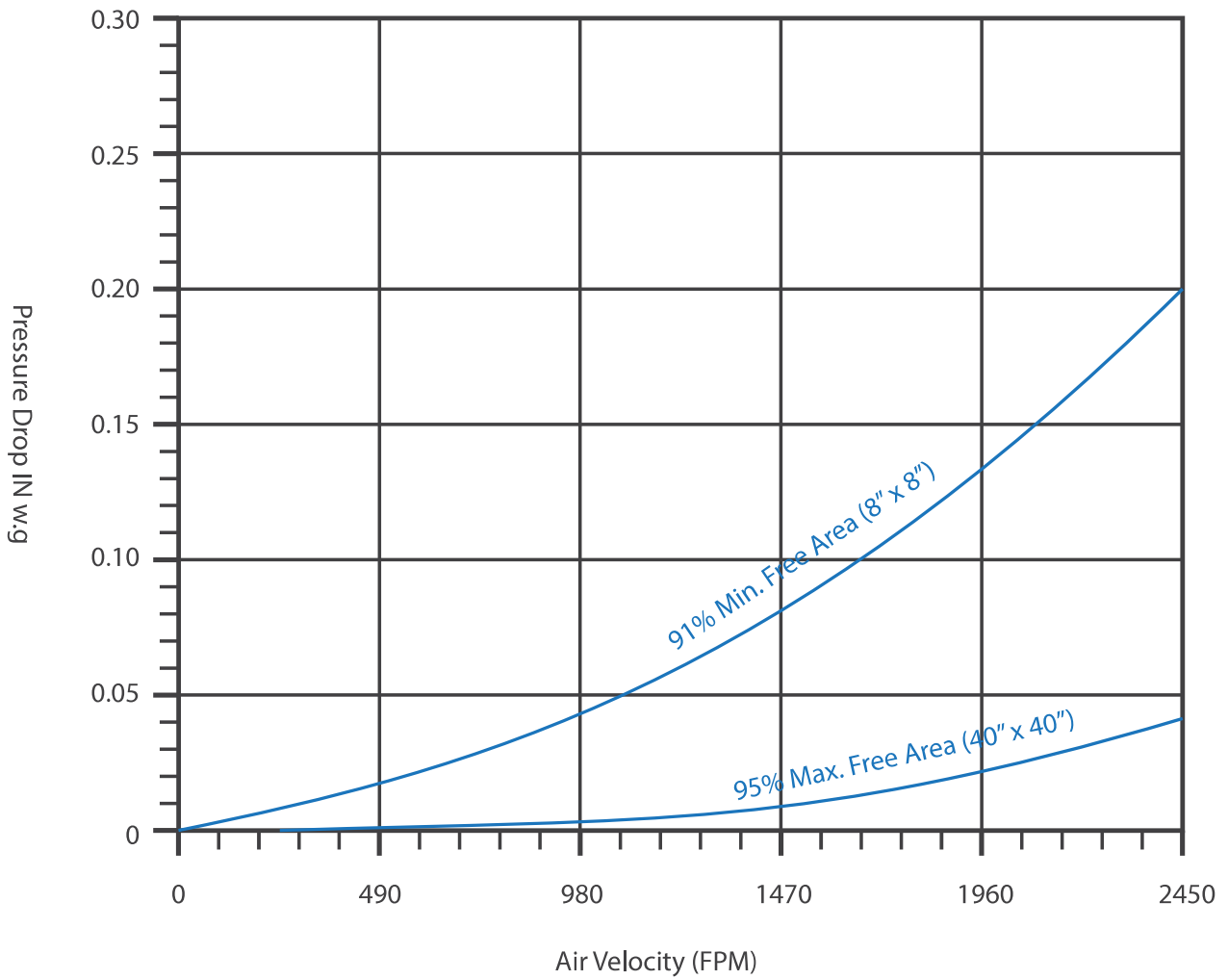
Fire Damper products are manufactured by Khedr Trust Co.

- Aerodynamic Data

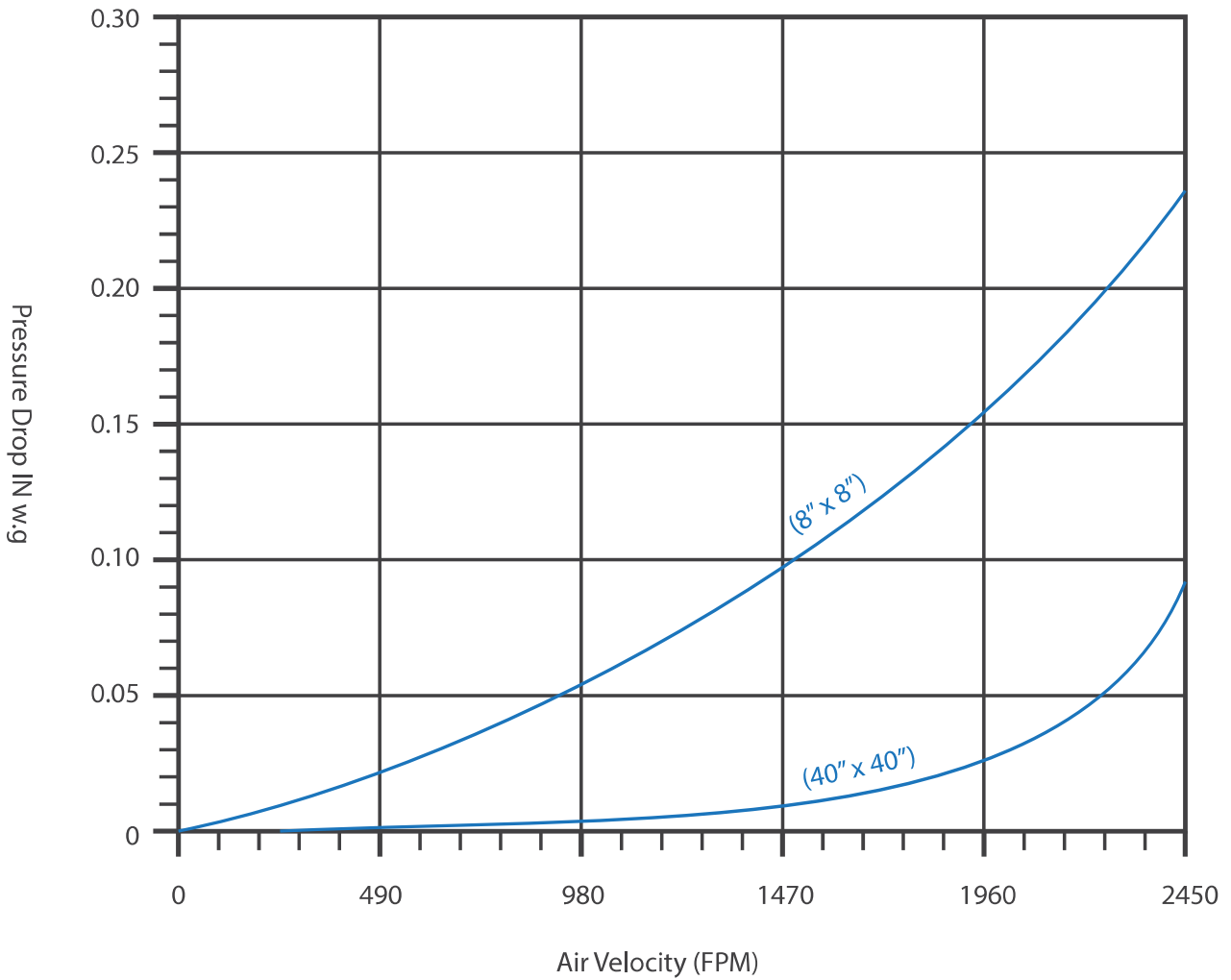
- Type (FDM-A)



- Type (FDM-B)



- Type (FDM-C, C(CR & OV))



- How to order

Type	FDM-A	FDM-A FDM-B FDM-C FDM-CR FDM-OV	Fire Damper products are manufactured by Khedr Trust Co.
Size	24 x 24	Size "Inch"	
Frame	0	O Standard S Sleeve F Frame	

Other Products are provided by Khedr Trust Co.

Diffusers & Grilles

- Squar Ceiling Diffuser
- Circular Ceiling Diffuser
- Slot Linear Diffuser
- Linear Bar Grille
- Aluminum Grille
- Swirl Diffuser
- Perforated Ceiling Diffuser
- Disc Valve Diffuser
- Jet Diffuser
- Eye Ball Diffuser
- Door Grille
- Raised Floor Grid

Louvers

- Aluminum Louver
- Sand Trap Louver

Dampers

- Blade Volume Damper
- Toothed Wheel Volume Damper
- Gravity Shutter Damper

Acoustics

- Sound Attenuator
- Acoustic Louver

Smoke Management

- Fire Damper
- Smoke Motorized Damper
- Smoke Vent

Duct Works

- Galvanized Steel Duct
- Black Steel Duct
- Stainless Steel Duct
- Spiral Duct
- Flexible Duct
- Canavas
- Flanges
- Flexible Duct Connector



Khedr Trust

ALL AIR PRODUCTS



Alqanater Alkhairia roads.Industrial Area. Behind Cocacola Co.. Cairo, Egypt

Mailing Address : P.O.Box 13621, Cairo 11511 - Egypt

Tel : +202 42452022

Mob : +2010 29999054 / +2010 29999056

+2010 29999057 / +2010 29999058

E-Mail : info@khedr-eg.com

